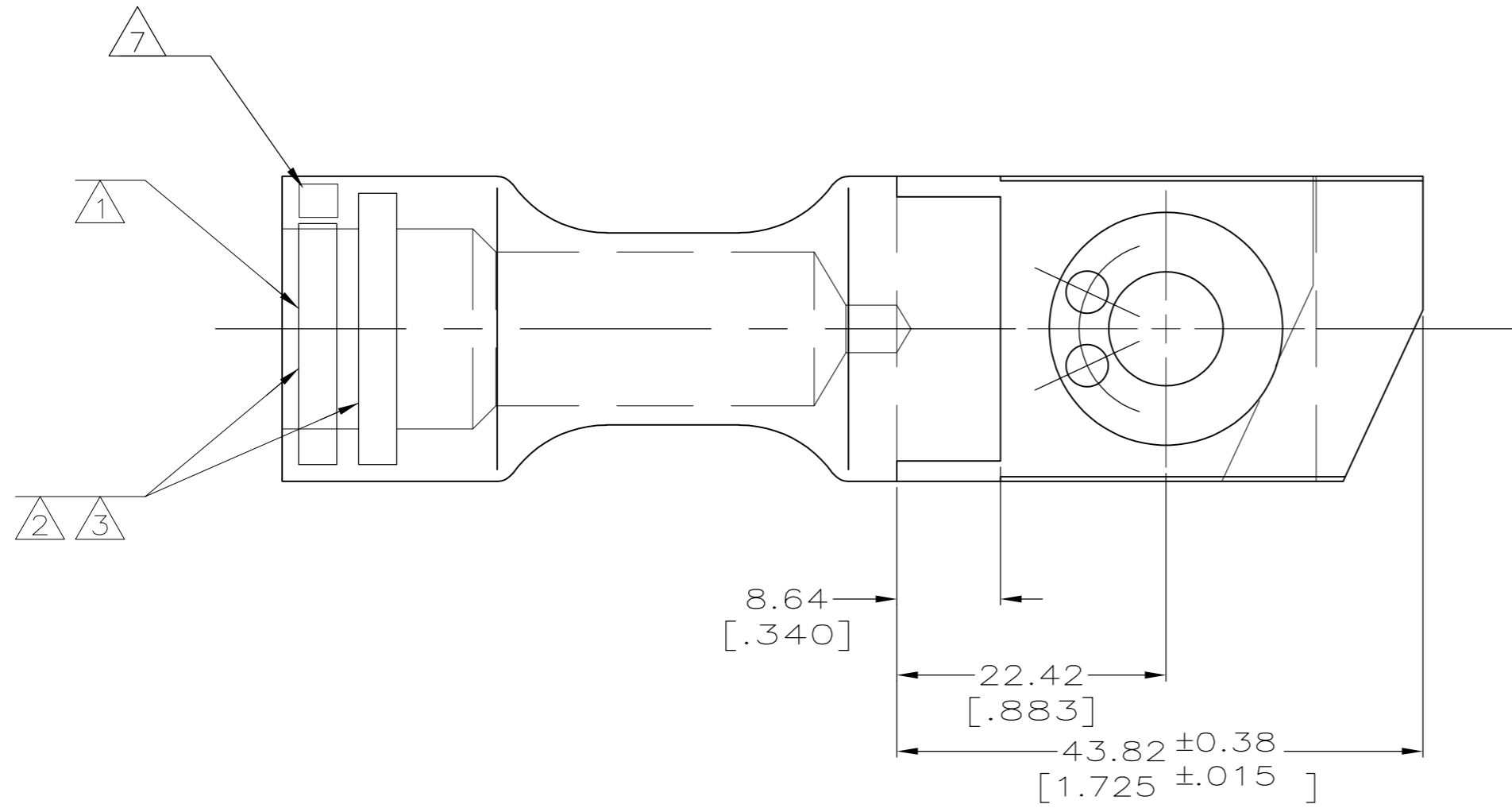
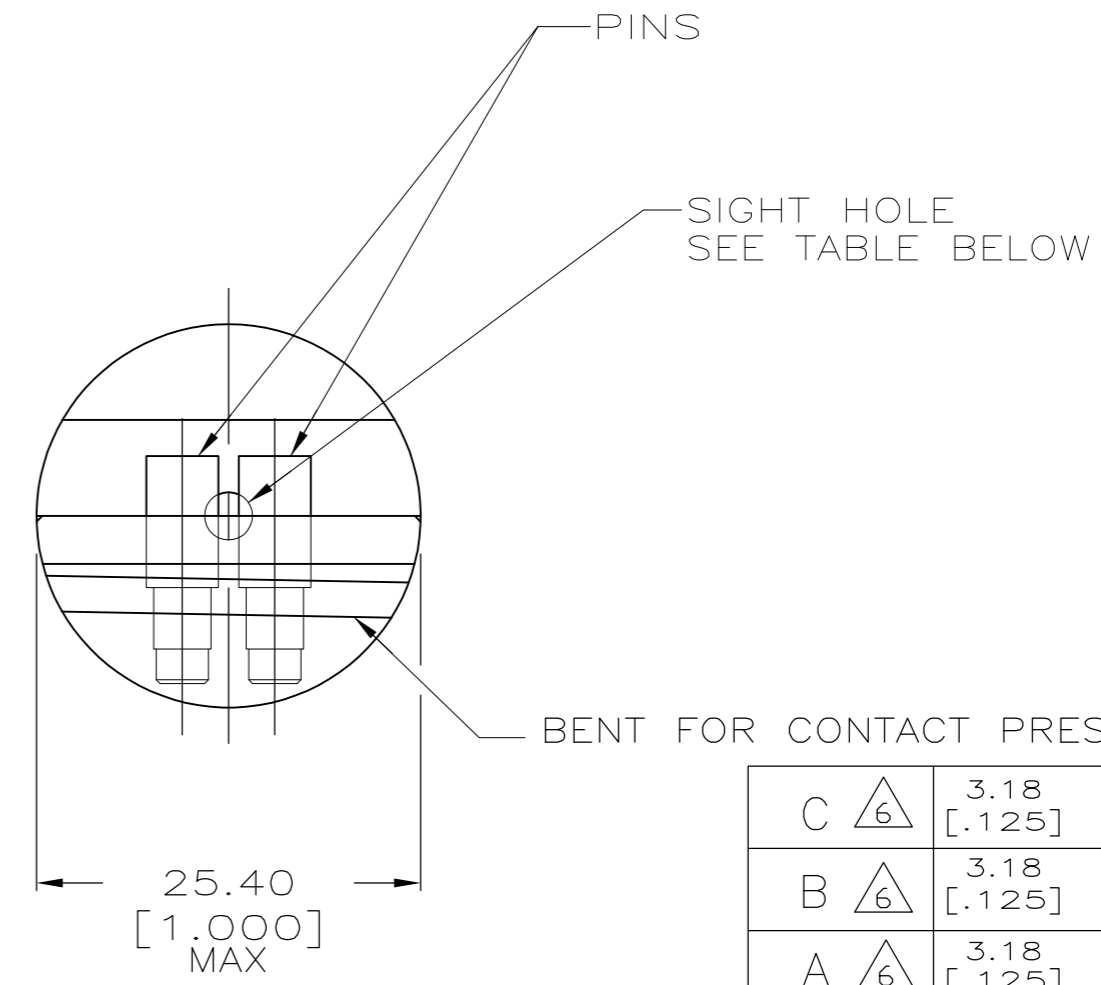
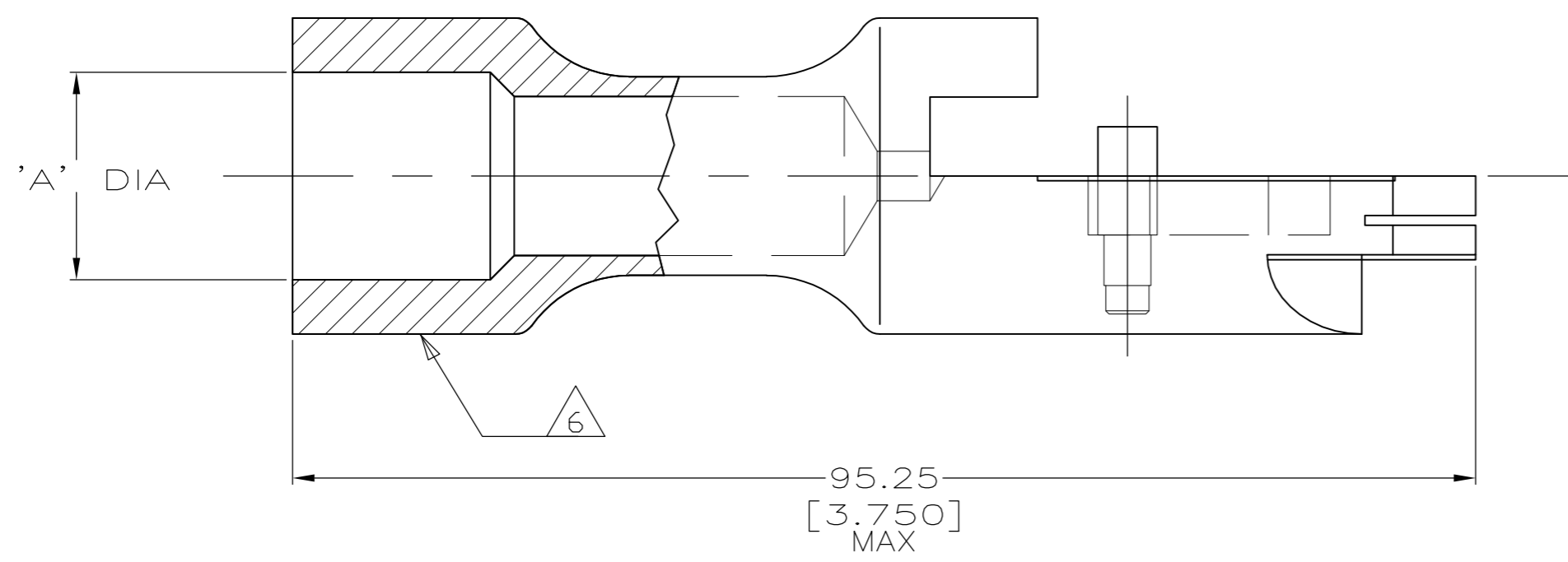


THIS DRAWING IS UNPUBLISHED. RELEASED FOR PUBLICATION
 © COPYRIGHT BY TYCO ELECTRONICS CORPORATION. ALL RIGHTS RESERVED.

LOC		DIST		REVISIONS			
P	LTR	DESCRIPTION		DATE	DWN	APVD	
G	86	G		REV PER ECR 09-003434	23FEB09	JR	RL



- ① STAMP AMP 1/0 APPROX AS SHOWN
- ② STAMP 1/0 A33 Ⓜ7077D8OG13 APPROX AS SHOWN
- ③ STAMP 1/0 A33 Ⓜ7077D8OG09 APPROX AS SHOWN
- ④ BODY AND PINS, BRASS PER QQ-B-626
- ⑤ SILVER PLATE 0.00254 [.000100] MIN PER QQ-S-365
- ⑥ STAMP " see table " TO DENOTE ELECTRICAL PHASE.
- ⑦ STAMP TYCO ELECTRONICS ID
- ⑧ PRELIMINARY - NOT FOR PRODUCTION



C	⑥	3.18 [.125]	16.66 [.656]	⑧1-52594-6
B	⑥	3.18 [.125]	16.66 [.656]	⑧1-52594-5
A	⑥	3.18 [.125]	16.66 [.656]	⑧1-52594-4
-		3.18 [.125]	16.66 [.656]	52594-6
-		3.18 [.125]	15.09 [.594]	52594-5
-		3.18 [.125]	15.09 [.594]	52594-4
-		3.18 [.125]	18.64 [.734]	52594-3
-		3.18 [.125]	16.66 [.656]	52594-2
-		NONE	16.66 [.656]	52594-1
STAMPING	SIGHT HOLE	'△'		AMP PART NUMBER

THIS DRAWING IS A CONTROLLED DOCUMENT.

DWN	DK SCHRUM	12JUN96	Tyco Electronics Corporation Harrisburg, PA 17105-3608
CHK	WJ VOCKROTH	25JUN96	
APVD	JL MECKLEY	25JUN96	
PRODUCT SPEC	108-13014		
APPLICATION SPEC			NAME
DIMENSIONS: mm [INCHES] TOLERANCES UNLESS OTHERWISE SPECIFIED: 0 PLC ± - 1 PLC ± - 2 PLC ± 0.20[.008] 3 PLC ± - 4 PLC ± - ANGLES ± - FINISH ± -			SIZE CAGE CODE DRAWING NO RESTRICTED TO A2 00779 C=52594 -
MATERIAL	④	⑤	WEIGHT - lbs CUSTOMER DRAWING SCALE 2:1 SHEET 1 of 1 REV G